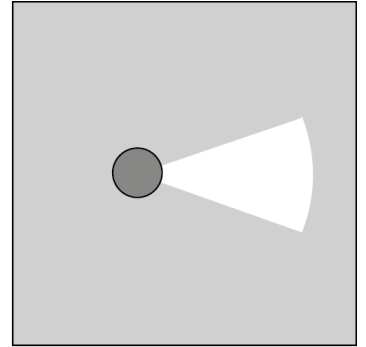
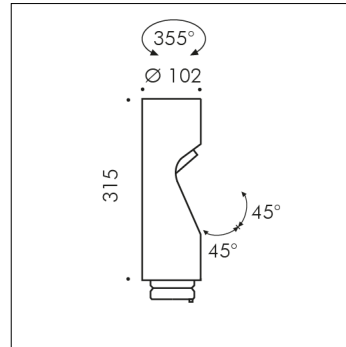


## ACCESSORY



### S.1465N MINISHIFT ADDITIONAL HEAD WITH 16° OPTIC

LED MODULE 4000K CRI80 Rated module luminous flux: 1650lm  
 Rated luminaire luminous flux: 769lm Rated module power:  
 12,7W Rated luminaire power: 14.7W 220V-240Vac 50/60Hz  
 Dimmable DALI 2 / PUSH IK10  
 Possibility to add to MINISHIFT BOLLARD AND MINISHIFT  
 POLE up to two additional heads, obtaining a configuration of two  
 or maximum three heads.  
 Accessory available in the following colors: Black (cod.09),  
 Anthracite grey (cod.24)