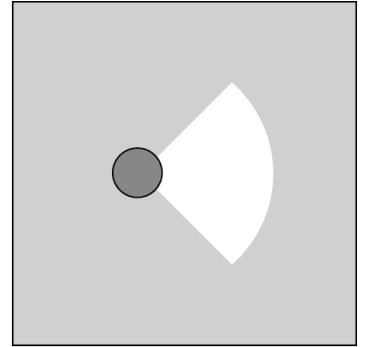
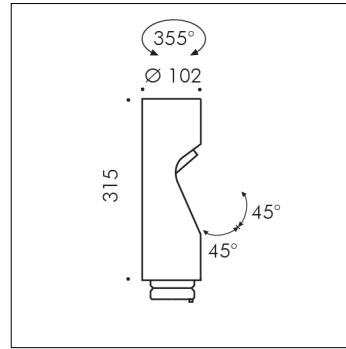


ACCESSORY

**S.1466H**
SHIFT ADDITIONAL HEAD WITH 51° OPTIC

LED MODULE 2700K CRI90 1291lm 12,6W 220V-240Vac
50/60Hz Dimmable DALI 2 / PUSH IK10

Possibility to add to SHIFT BOLLARD AND SHIFT POLE up to two additional heads, obtaining a configuration of two or maximum three heads.

Accessory available in the following colors: Black (cod.09),
Anthracite grey (cod.24)