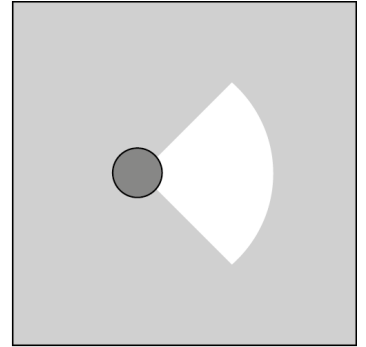
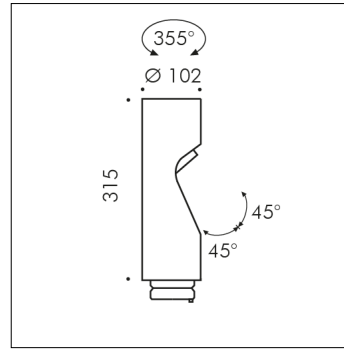


ACCESSORY



S.1466N MINISHIFT ADDITIONAL HEAD WITH 51° OPTIC

LED MODULE 4000K CRI80 Rated module luminous flux: 1650lm

Rated luminaire luminous flux: 1063lm Rated module power:

12,7W Rated luminaire power: 14.7 220V-240Vac 50/60Hz

Dimmable DALI 2 / PUSH IK10

Possibility to add to MINISHIFT BOLLARD AND MINISHIFT POLE up to two additional heads, obtaining a configuration of two or maximum three heads.

Accessory available in the following colors: Black (cod.09), Anthracite grey (cod.24)