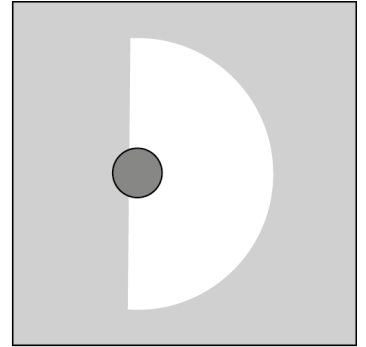
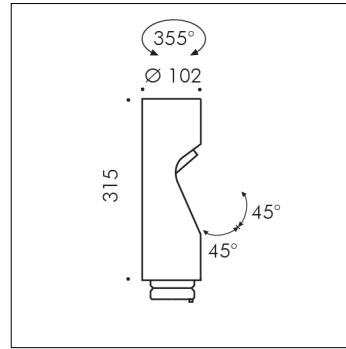


ACCESSORY

**S.1467W**
SHIFT ADDITIONAL HEAD WITH ELLIPTIC OPTIC

LED MODULE 3000K CRI90 1363lm 12,6W 220V-240Vac
50/60Hz Dimmable DALI 2 / PUSH IK10

Possibility to add to SHIFT BOLLARD AND SHIFT POLE up to two additional heads, obtaining a configuration of two or maximum three heads.

Accessory available in the following colors: Black (cod.09),
Anthracite grey (cod.24)