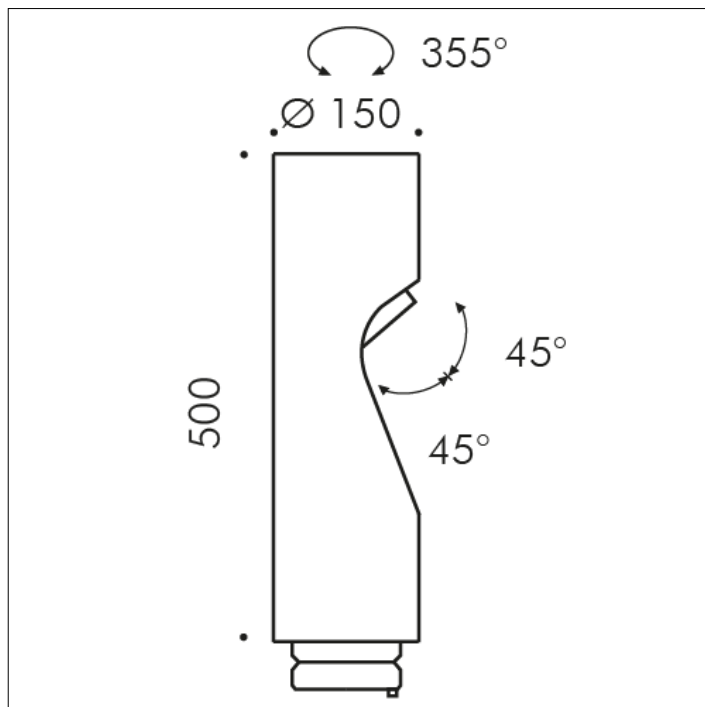


ACCESSORY

**S.1492N
SHIFT PRO ADDITIONAL HEAD WITH ELLIPTIC OPTIC**

LED MODULE 4000K CRI80 Rated module luminous flux: 4292lm
Rated luminaire luminous flux: 2614lm Rated module power: 27W
Rated luminaire power: 30,4W 220V-240Vac 50/60Hz Dimmable
DALI 2 / PUSH IK10

Possibility to add to SHIFT PRO POLE up to three additional heads, obtaining a configuration of two or maximum four heads.

Accessory available in the following colors: Black (cod.09),
Anthracite grey (cod.24)