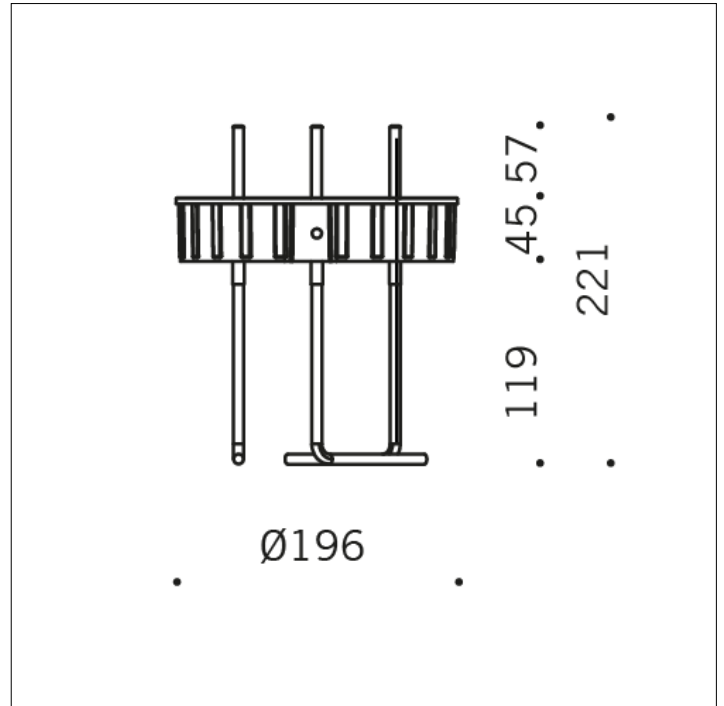
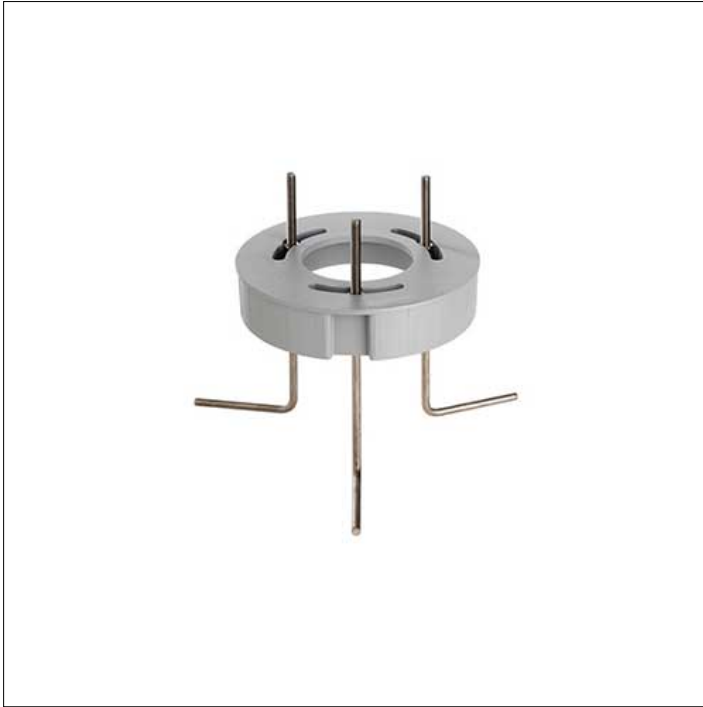


## ACCESSORY

**S.4171  
FLANGE**

Flange Ø 195mm h 165mm to be fixed in concrete with stainless steel screws for fixing in the ground. Footstall dimension can be calculated according to your country norms and ground properties.