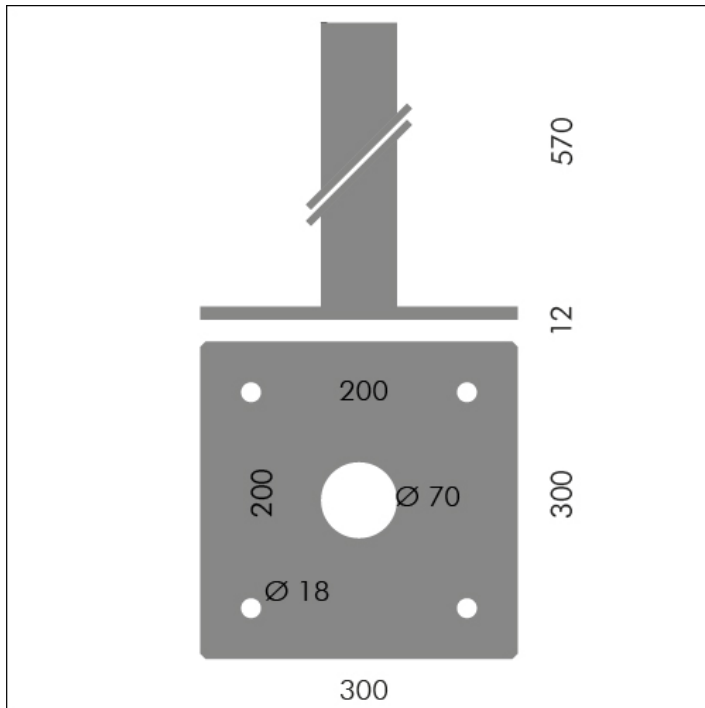


ACCESSORY

**S.1488**
ANCHORING BASE FOR SHIFT PRO POLE

Anchoring base to be buried in concrete. Footstall dimension can be calculated according to your country norms and ground properties.

mandatory for the installation of SHIFT PRO POLE or S.1489

FLANGE

Accessory available in the following colors: Black (cod.09), Anthracite grey (cod.24)