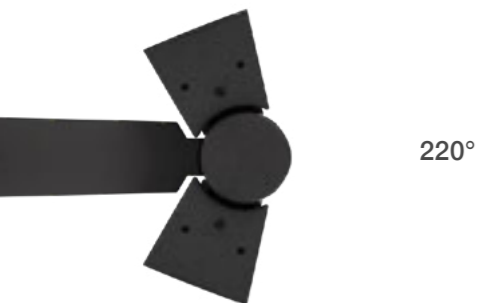
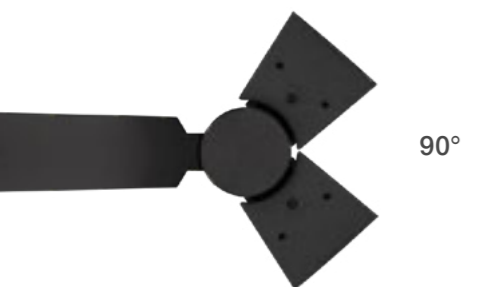


180°



220°



90°



90°



Between is a projector available in two versions: with single-emission and with double emission. This second one is composed of two lighting housings rotating around a central joint that allows them to be independently oriented to each other. The visor is an integral part of the design and ensures glare-free light distribution. The peculiarity of Between is the extreme versatility, guaranteed by the easy change of the optical filters: from Spot 10°, to Flood 38°, to Wide Flood 60°, up to the Elliptical 10° x 60°. The fixation base houses the driver.

**TECHNICAL DESCRIPTION**  
Die-cast aluminium housing, extruded aluminium structure with high corrosion resistance. Toughened glass diffuser 5mm thick. Stainless steel A4 screws. Luminaire supplied with 5,0m neoprene H05RN-F cable. Silicone gaskets. Double powder paint

**REGISTERED DESIGN**  
PATENT PENDING

**PROTECTION CLASS**  
IP66

**ISOLATION CLASS**  
CLASS I Ⓢ

**MECHANICAL RESISTANCE**  
IK 07

**COLOURS**

**.09** Black (optic black)

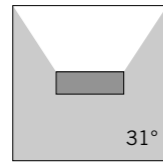
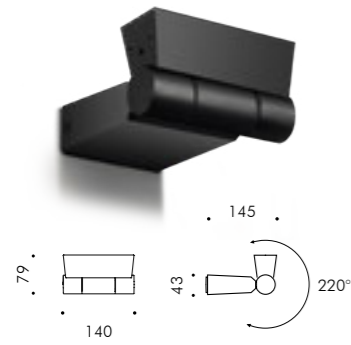


[www.simes.it/between](http://www.simes.it/between)

# BETWEEN 4 LED

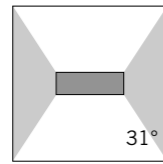
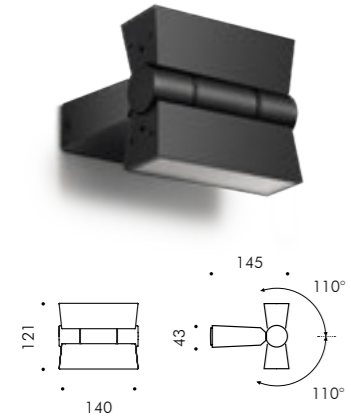
SIMES

## Single emission (4 LED optic)



**S.2600W Flood beam with lenses**  
LED MODULE 3000K CRI90 874lm 9,4W  
(on request 2700K CRI90 830lm)  
(on request 4000K CRI80 1068lm)  
220V-240Vac 50/60Hz  
ON/OFF Not Dimmable

## Double emission (2x4 LED optics)

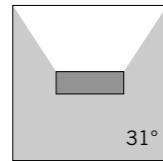
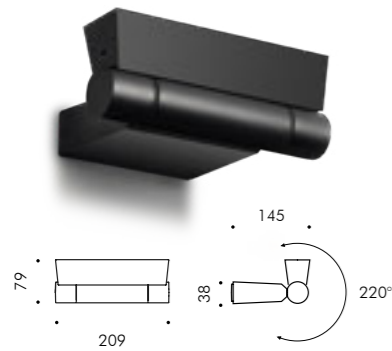


**S.2602W Flood beam with lenses**  
2x LED MODULE 3000K CRI90 874lm 9,4W  
(on request 2700K CRI90 830lm)  
(on request 4000K CRI80 1068lm)  
220V-240Vac 50/60Hz  
ON/OFF Not Dimmable

Code	Beam filter accessory for Between 4 LED
S.2605	Spot 10°
S.2606	Wide Flood 60°
S.2607	Elliptical 60° x 10°

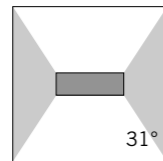
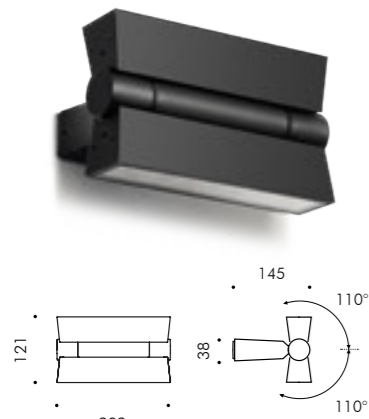
# BETWEEN 7 LED

## Single emission (7 LED optic)



**S.2610W Flood beam with lenses**  
LED MODULE 3000K CRI90 1530lm 16,4W  
(on request 2700K CRI90 1435lm)  
(on request 4000K CRI80 1870lm)  
220V-240Vac 50/60Hz  
Dimmable DALI 2 / PUSH

## Double emission (2x7 LED optics)



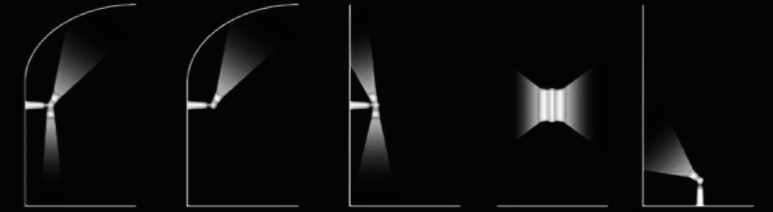
**S.2612W Flood beam with lenses**  
2x LED MODULE 3000K CRI90 1530lm 16,4W  
(on request 2700K CRI90 1435lm)  
(on request 4000K CRI80 1870lm)  
220V-240Vac 50/60Hz  
Dimmable DALI 2 / PUSH

Code	Beam filter accessory for Between 4 LED
S.2615	Spot 10°
S.2616	Wide Flood 60°
S.2617	Elliptical 60° x 10°

# BETWEEN

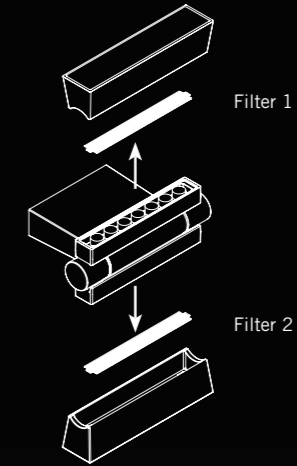
## MULTIPLE APPLICATIONS

Between can be installed on wall or ground and it offers a wide range of lighting solutions, that are adaptable on site by using optical filters. Thanks to the joint between the two houses, the double version allow to orient the lighting beams independently.



## INDEPENDENT AND ADJUSTABLE OPTICS

Between is supplied with 31° optic for both the up and down houses. Thanks to the availability of various optical filters, 10° Narrow beam, 31° Medium beam or 60° Wide beam and Elliptical beam 10° x 60°, it is possible to change individually the light distribution. This possibility allows to combine various beams angle in the same product pointing different subjects.



## VARIOUS BEAMS OBTAINED WITH DIFFERENT OPTICAL FILTER ACCESSORIES

