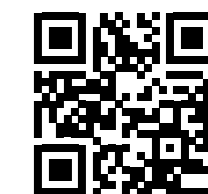


# Shift

Bollard and Urban lighting





# SHIFT

Shift is a family of bollards and urban elements of great elegance and aesthetic cleanliness, integrating adjustable DALI spotlights into the cylindrical shape of the poles.

Each spotlight is housed in a head that can be independently controlled and freely rotated on its axis. It can be locked in the desired position by means of a locking mechanism. The spotlights integrated into the head can be tilted horizontally to a maximum of 90° to direct the beam downwards or pushed forward to cover greater distances.

The head can also be turned upside down. This additional degree of freedom also allows the beam to be directed upwards, for example to illuminate a walkway and an adjacent wall with the same fixture.

The bollard and the urban element are available with 1 head, but they can be upgraded up to 2 additional heads. Particularly suitable for parks, squares, cycle paths and pedestrian areas, it allows 360° coverage of the area to be lit, thanks to the combined use of several heads with large beams, distributed in the desired direction.

## TECHNICAL DESCRIPTION

Extruded aluminium profile (pole), die-cast aluminium housing (top and lighting element) with high corrosion resistance. Transparent extra-clear toughened glass diffuser 5mm thick. Stainless steel Allen screws with insulating treatment against galvanic corrosion. Luminaire supplied with 2 x neoprene H05RN-F cables and connectors for multiple head connections. Double powder paint.

**PROTECTION CLASS**  
IP65

**ISOLATION CLASS**  
CLASS II □

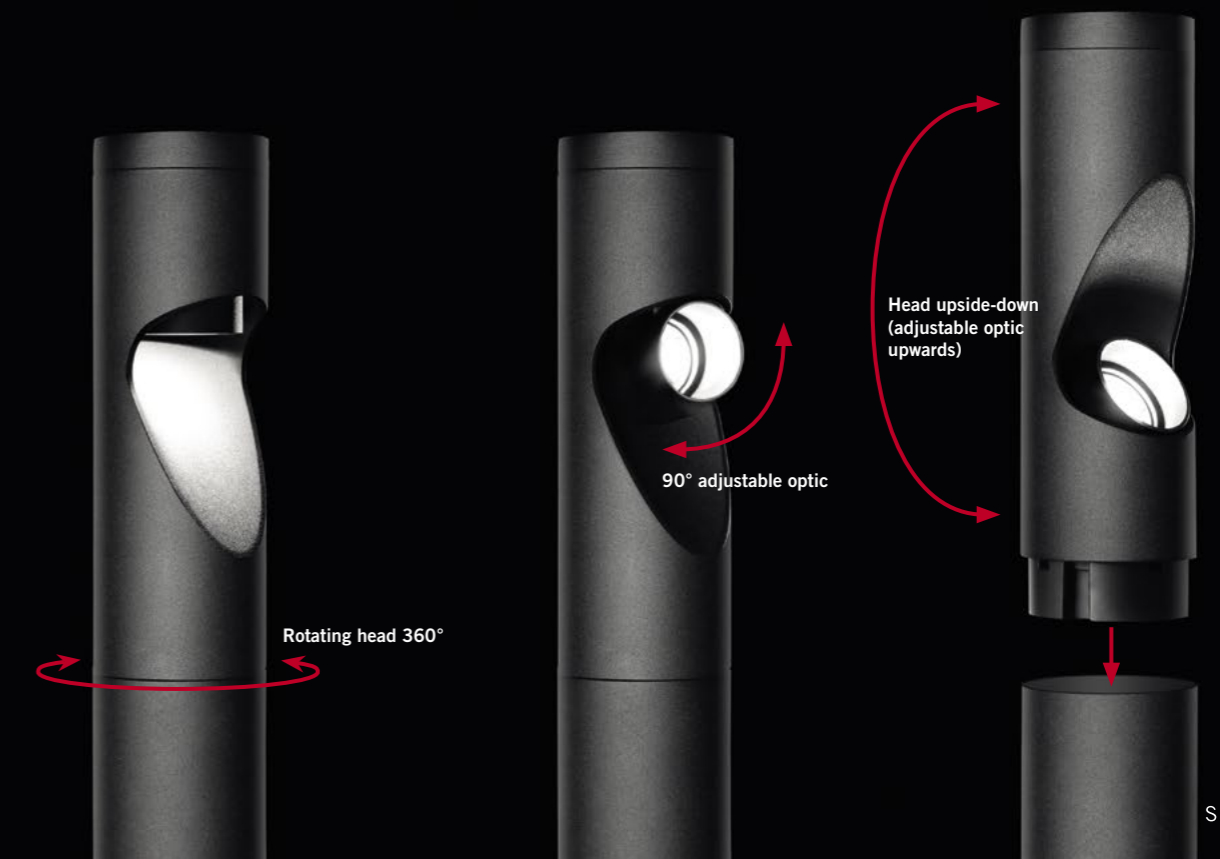
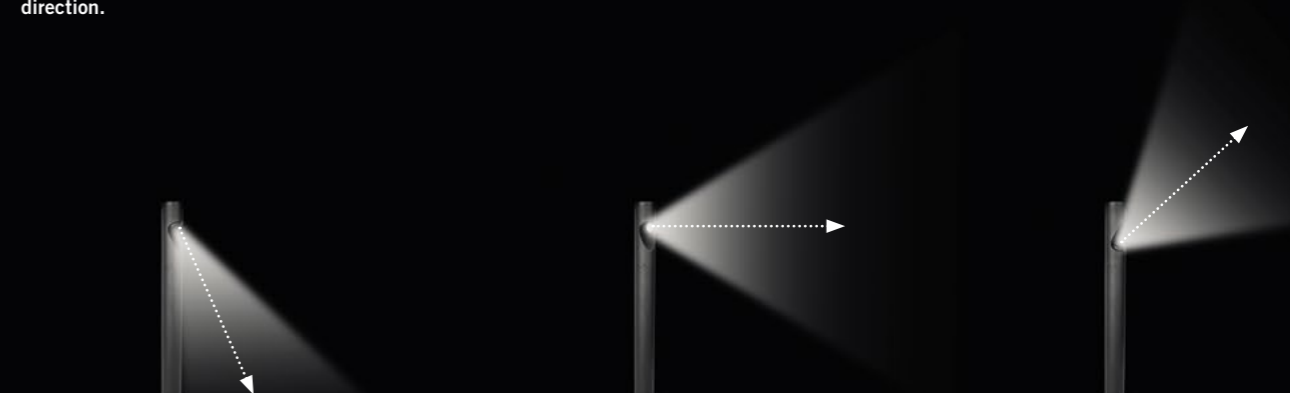
**MECHANICAL RESISTANCE**  
IK 08

## COLOURS

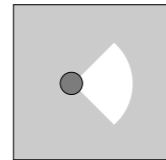
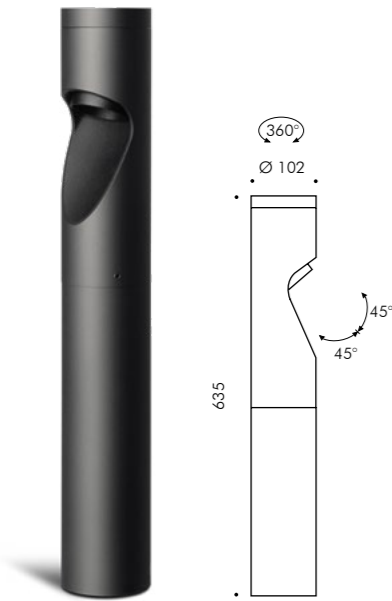
.09 Black

.24 Anthracite Grey

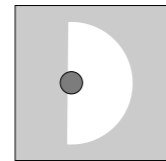
## REGISTERED DESIGN



SHIFT BOLLARD  
H 635mm 1 HEAD



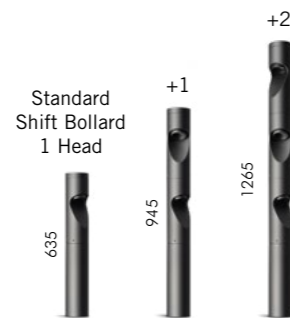
**S.1451W BOLLARD 1 HEAD WITH 52° OPTIC**  
LED MODULE **3000K** CRI90 1363lm 12,6W  
(on request 2700K CRI90 1291lm)  
(on request 4000K CRI80 1650lm)  
220V-240Vac 50/60Hz  
**Dimmable DALI 2 / PUSH**



**S.1452W BOLLARD 1 HEAD WITH ELLIPTICAL OPTIC**  
LED MODULE **3000K** CRI90 1363lm 12,6W  
(on request 2700K CRI90 1291lm)  
(on request 4000K CRI80 1650lm)  
220V-240Vac 50/60Hz  
**Dimmable DALI 2 / PUSH**



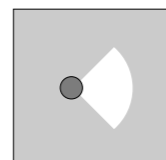
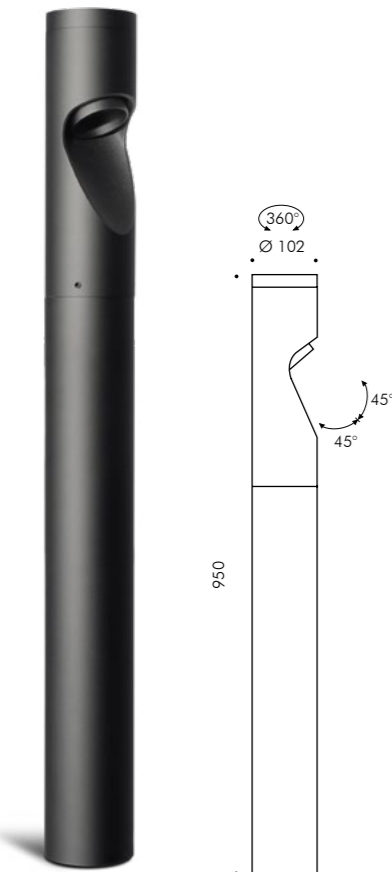
**S.2148**  
**FLANGE ACCESSORY FOR SHIFT BOLLARD Ø 102mm**  
Flange to be buried in concrete



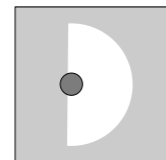
**Additional heads**  
(see following pages)

Possibility to add to SHIFT BOLLARD H635 up to two additional heads, obtaining a configuration of two or maximum three heads.

SHIFT BOLLARD  
H 950mm 1 HEAD



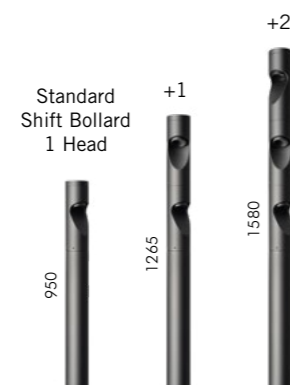
**S.1456W BOLLARD 1 HEAD WITH 52° OPTIC**  
LED MODULE **3000K** CRI90 1363lm 12,6W  
(on request 2700K CRI90 1291lm)  
(on request 4000K CRI80 1650lm)  
220V-240Vac 50/60Hz  
**Dimmable DALI 2 / PUSH**



**S.1457W BOLLARD 1 HEAD WITH ELLIPTICAL OPTIC**  
LED MODULE **3000K** CRI90 1363lm 12,6W  
(on request 2700K CRI90 1291lm)  
(on request 4000K CRI80 1650lm)  
220V-240Vac 50/60Hz  
**Dimmable DALI 2 / PUSH**



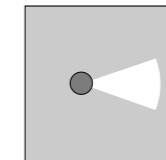
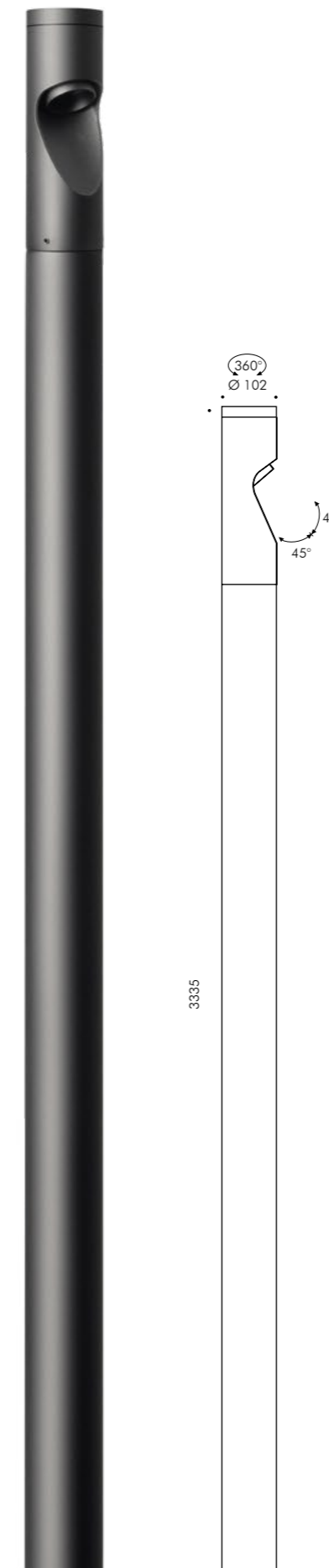
**S.2148**  
**FLANGE ACCESSORY FOR SHIFT BOLLARD Ø 102mm**  
Flange to be buried in concrete



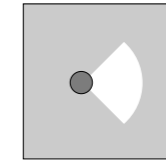
**Additional heads**  
(see following pages)

Possibility to add to SHIFT BOLLARD H950 up to two additional heads, obtaining a configuration of two or maximum three heads.

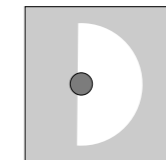
SHIFT POLE  
1 HEAD



**S.1460W POLE 1 HEAD WITH 19° OPTIC**  
LED MODULE **3000K** CRI90 1363lm 12,6W  
(on request 2700K CRI90 1291lm)  
(on request 4000K CRI80 1650lm)  
220V-240Vac 50/60Hz  
**Dimmable DALI 2 / PUSH**



**S.1461W POLE 1 HEAD WITH 52° OPTIC**  
LED MODULE **3000K** CRI90 1363lm 12,6W  
(on request 2700K CRI90 1291lm)  
(on request 4000K CRI80 1650lm)  
220V-240Vac 50/60Hz  
**Dimmable DALI 2 / PUSH**



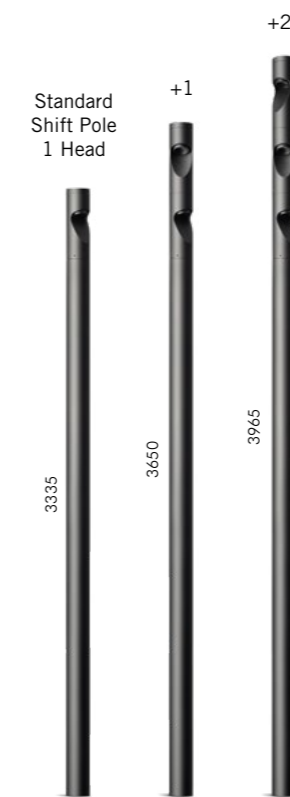
**S.1462W POLE 1 HEAD WITH ELLIPTICAL OPTIC**  
LED MODULE **3000K** CRI90 1363lm 12,6W  
(on request 2700K CRI90 1291lm)  
(on request 4000K CRI80 1650lm)  
220V-240Vac 50/60Hz  
**Dimmable DALI 2 / PUSH**

Aluminium pole Ø 102 H 3000mm included.  
Pole must be fixed to the anchoring base (S.1469) to be securely buried in concrete.



**Mandatory accessory**

**S.1469**  
**ANCHORING BASE FOR SHIFT POLE**  
Anchoring base to be buried in concrete (mandatory for the installation of SHIFT POLE)



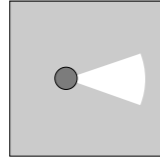
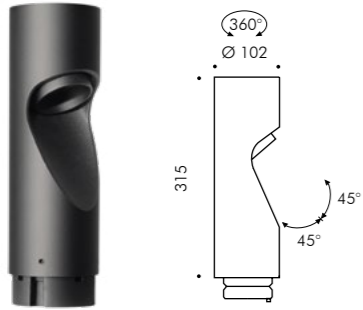
**Additional heads**  
(see following pages)

Possibility to add to SHIFT POLE H3335 up to two additional heads, obtaining a configuration of two or maximum three heads.

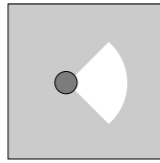
# SHIFT ADDITIONAL HEADS

## Additional heads

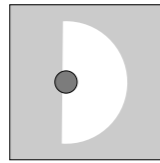
Possibility to add to SHIFT BOLLARD AND SHIFT POLE up to two additional heads, obtaining a configuration of two or maximum three heads.



**S.1465W ADDITIONAL HEAD WITH 19° OPTIC**  
 LED MODULE 3000K CRI90 1363lm 12,6W  
 (on request 2700K CRI90 1291lm)  
 (on request 4000K CRI80 1650lm)  
 220V-240Vac 50/60Hz  
**Dimmable DALI 2 / PUSH**



**S.1466W ADDITIONAL HEAD WITH 52° OPTIC**  
 LED MODULE 3000K CRI90 1363lm 12,6W  
 (on request 2700K CRI90 1291lm)  
 (on request 4000K CRI80 1650lm)  
 220V-240Vac 50/60Hz  
**Dimmable DALI 2 / PUSH**



**S.1467W ADDITIONAL HEAD WITH ELLIPTICAL OPTIC**  
 LED MODULE 3000K CRI90 1363lm 12,6W  
 (on request 2700K CRI90 1291lm)  
 (on request 4000K CRI80 1650lm)  
 220V-240Vac 50/60Hz  
**Dimmable DALI 2 / PUSH**

