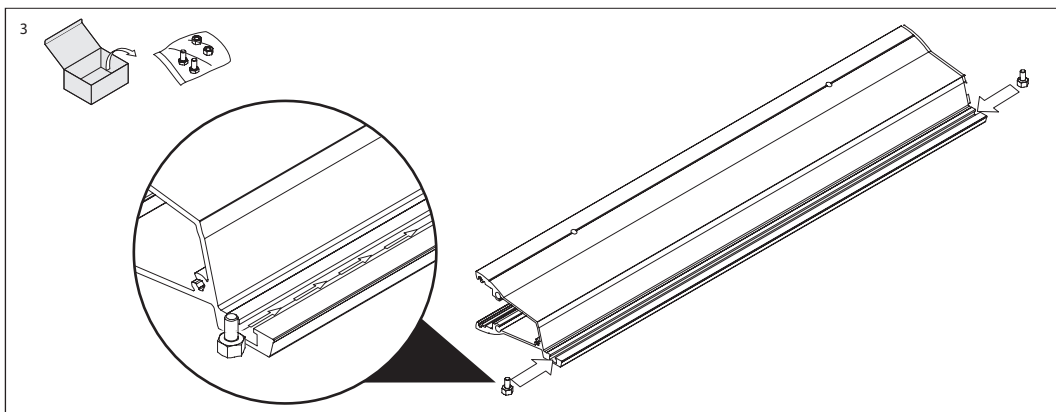
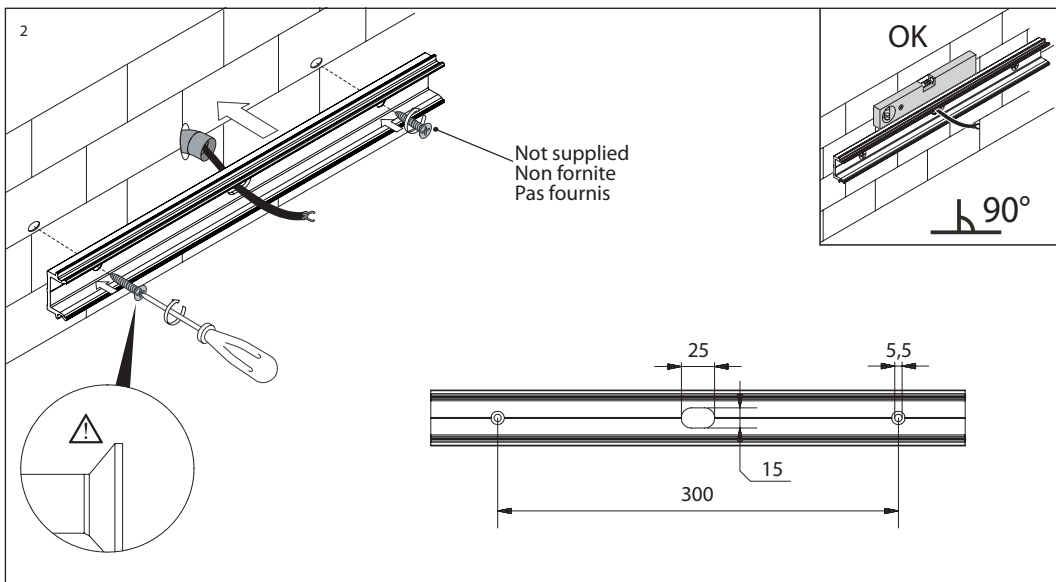
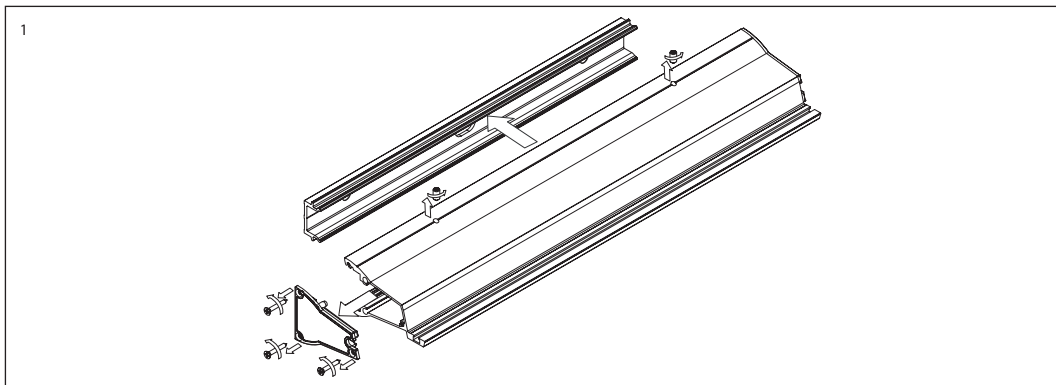
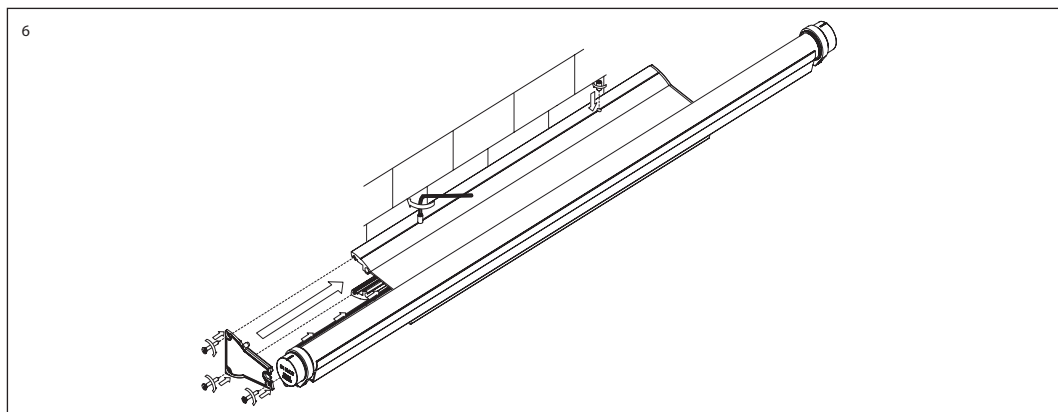
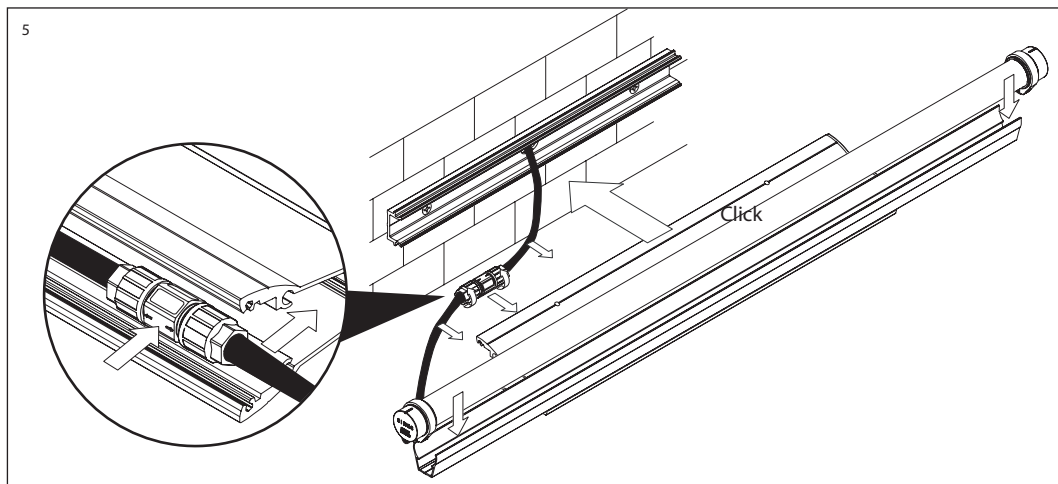
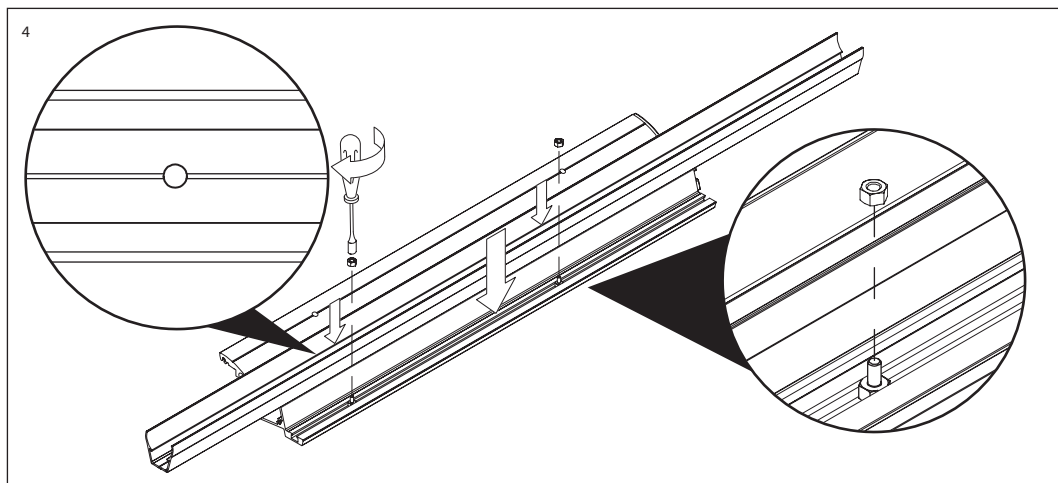


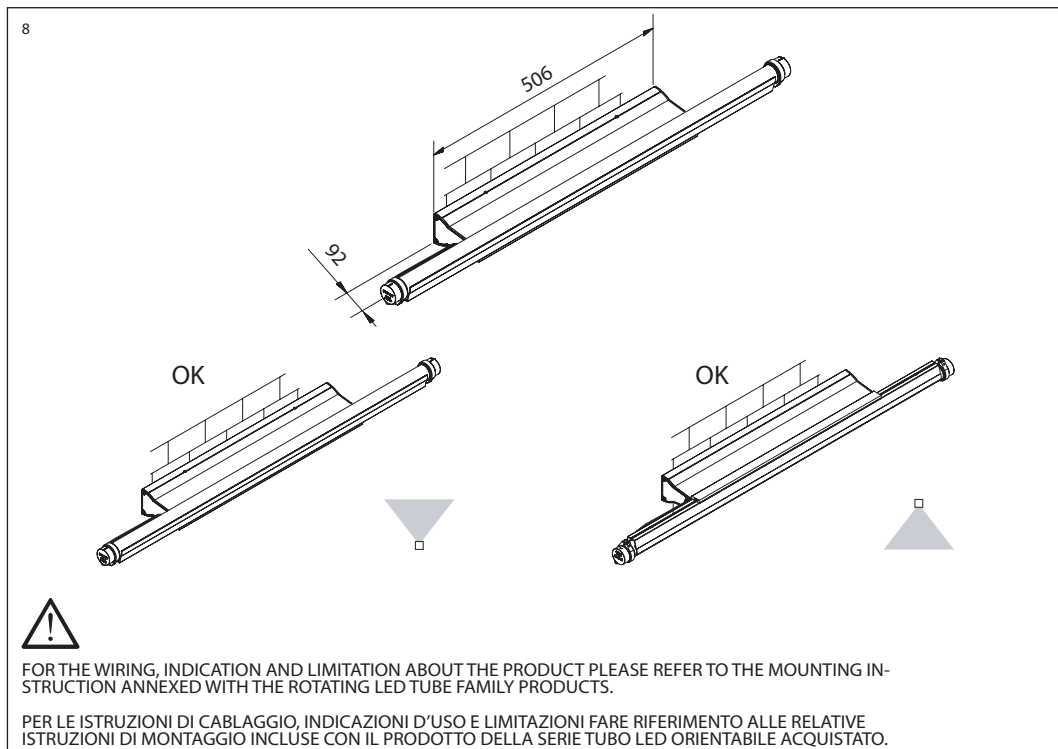
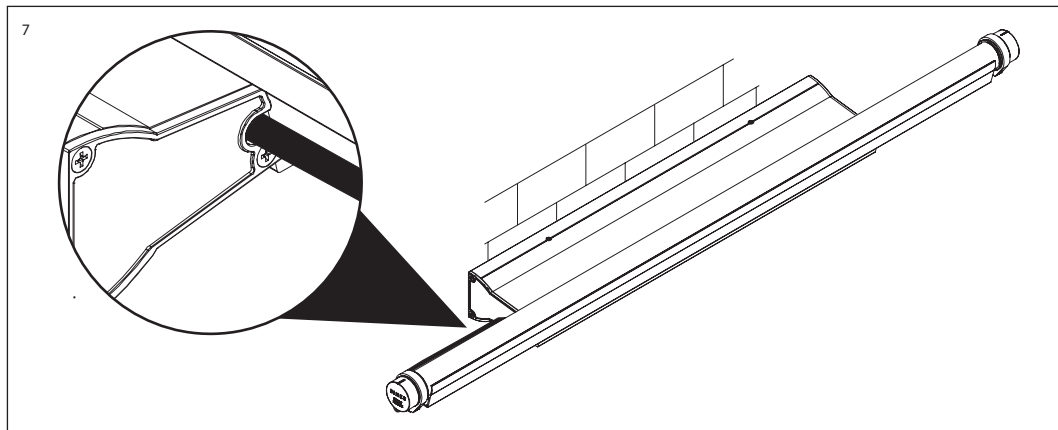
S I M E S

S.5901

INSTALLATION, USE AND MAINTENANCE AND WASTE MANAGEMENT INSTRUCTIONS  
ISTRUZIONI DI MONTAGGIO, USO, MANUTENZIONE E SMALTIMENTO  
NOTICE DE MONTAGE, UTILISATION, ENTRETIEN ET ÉCOULEMENT







SIMES S.p.A. VIA G. PASTORE 2/4 - 25040 CORTE FRANCA (BRESCIA) - ITALY

TEL. +39 0309860430 - FAX +39 0309860439

E-mail: [simes@simes.it](mailto:simes@simes.it) - <http://www.simes.it>

We reserve the right to change specifications without prior written notice